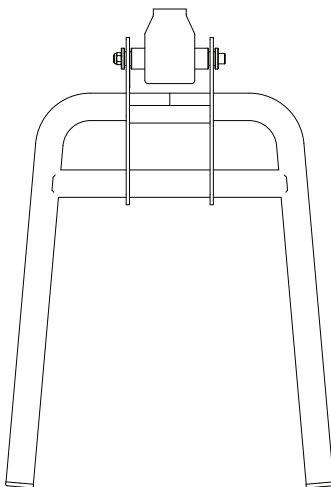


Attaches to the side of X-Create and X-Lab uprights. Includes attachment anchor and adjustable height dip bar.



Model number	XCREATE-DA
Dimensions	34.4" x 23.6" x 53.7" (87.4 cm x 60.0 x 136.4 cm)
Weight	62.5 lb (28.4 kg)
Compatibility	X-Create and X-Lab uprights
Warranty	10 year frame and welds/1 year parts/90 days misc.

### TOP VIEW



### NOTE

- MOUNTS TO X-CREATE UPRIGHTS